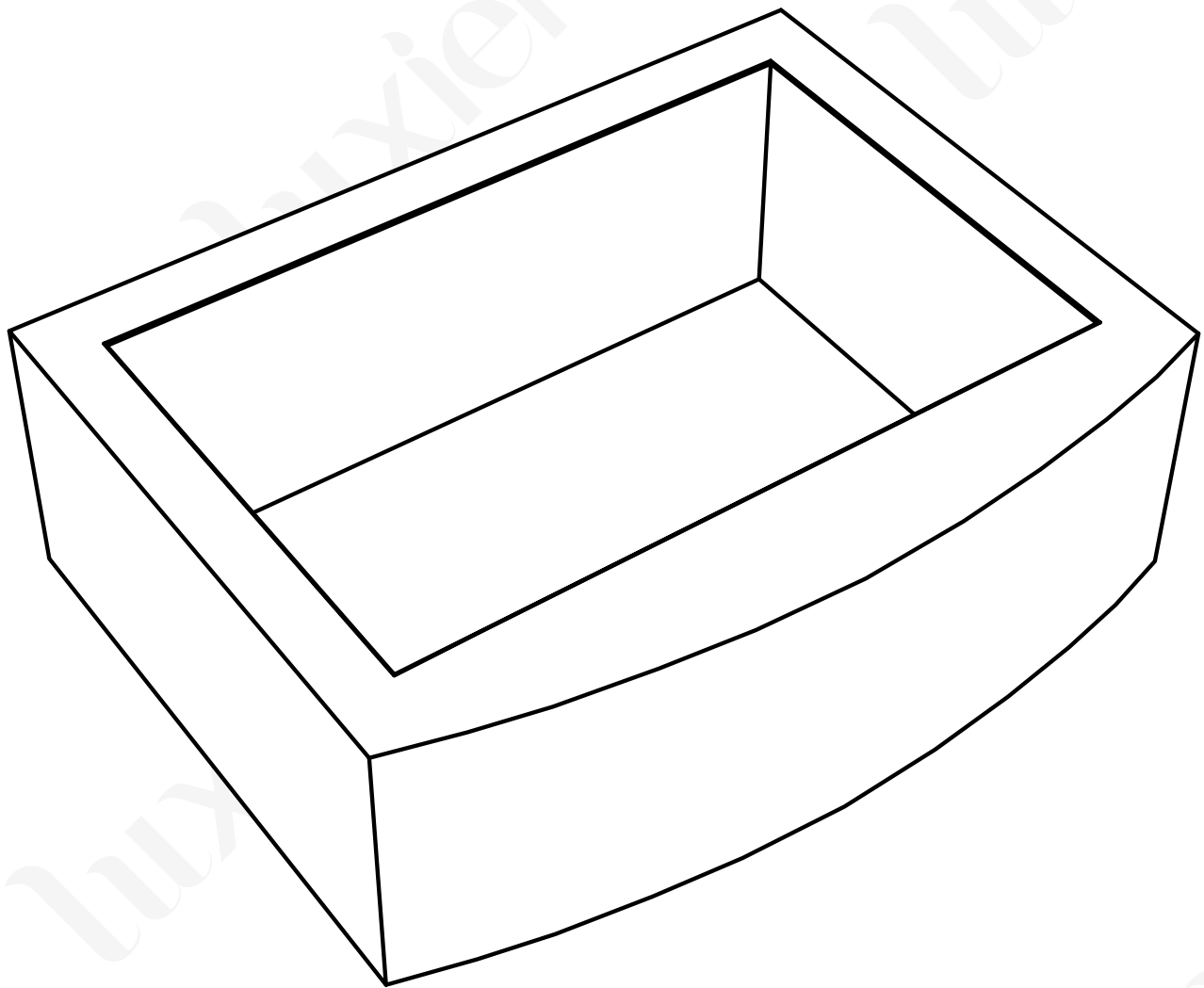


Stainless Steel Farmhouse Kitchen Sinks Installation Guide

Features:

- Contemporary single / double bowls design (varies by models)
- Noise reduction sound dampening technology with insulation coating
- Premium T304 stainless steel construction



Thank you for purchasing Luxier products. Please read the information below and keep this installation guide for future reference. If you require assistance, please contact our customer service department at 1-877-711-8828, Monday - Friday 9AM - 5PM Pacific Time or by email at support@luxierusa.com.

Important Information

- Due to the undercounter installation, it is recommended that the installation be performed by trained and experienced installers.
- **Risk of personal injury! Stainless steel edges are sharp and can cause severe cuts. Wear gloves when handling the sink.**
- Wear eye protection during installation process.
- Observe all local plumbing and building codes when installing the sink.
- This is a general installation guideline, actual installation may vary. Consult a professional if necessary.
- This installation guide is subject to change without notice, please contact us to request the most updated version of this installation guide.
- Product drawings in this installation guide is for illustration purpose only. Actual product may vary depends on model.

Before You Begin

- Unpack and inspect the sink from the package for shipping damage and make sure all parts are included with the sink.
- Keep the sink in its package until you are ready to install.
- Read and understand this installation guide completely.
- Make sure the installation site is clean and free of dust and debris.

NOTICE:

- This installation guide is subject to change without notice, please contact us to request the most updated version of this installation guide.
- Product drawings in this installation guide are for illustration purpose only. Actual product may vary depends on model.
- This product is for residential use ONLY.
- Keep this installation guide for your records.

Parts

1. Stainless Steel Sink
2. Installation Guide

Tools (Recommended)

Tape Measure	Silicon Sealant
Pencil / Marker	Gloves
Safety Glasses (Eye Protection)	Drill

Installation

IMPORTANT! It is highly recommended the sink to be installed by a professional installer.

1. Provide your countertop fabricator with the included cut-out template to determine the size of the opening and the placement of the sink. When determining anchor locations, allow space for faucet clearance. The farm sink can be installed either flush with the countertop or under the countertop. Please refer to the figure A and B below.

Figure A. Flush Mount Option 1

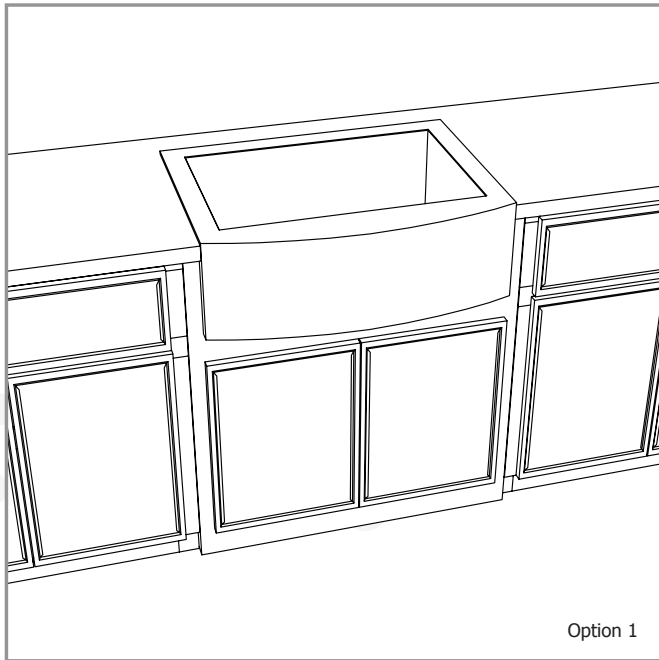
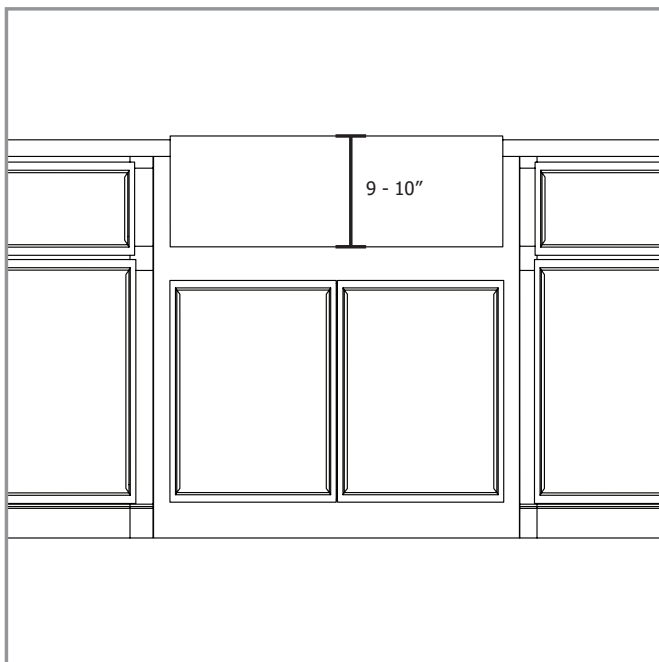
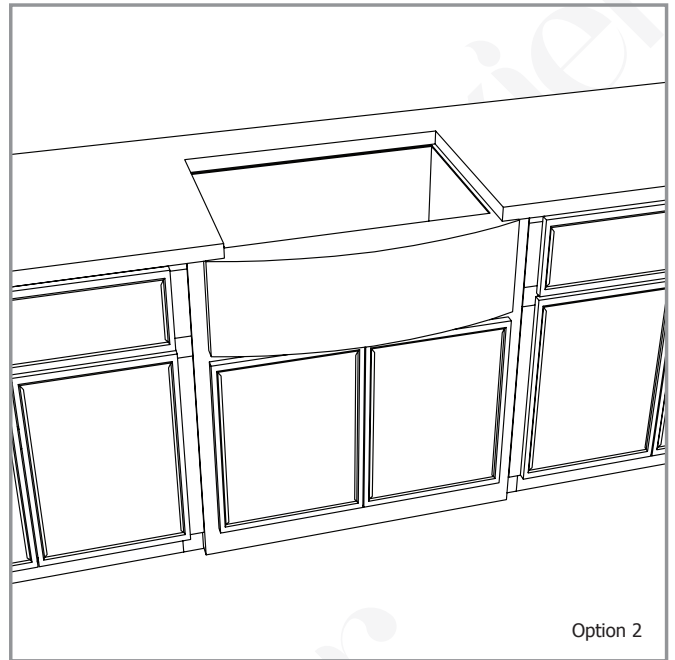
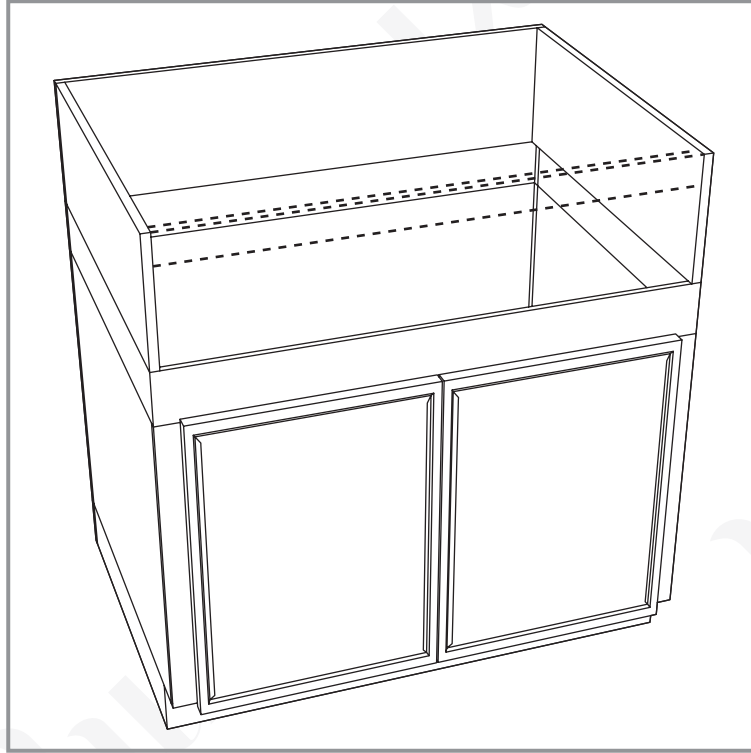


Figure B. Under Mount Option 2

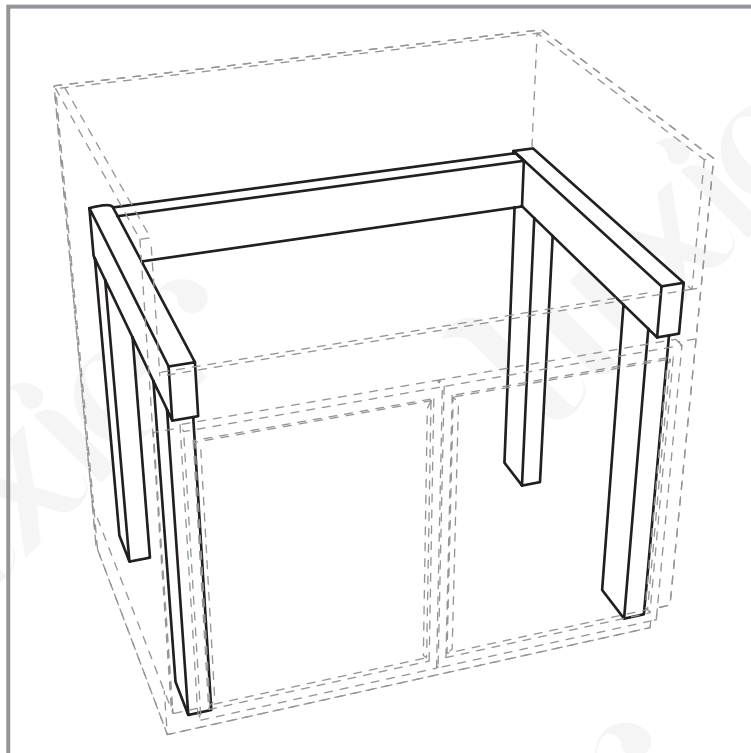


NOTE: The height of the farm sink ranges from 9 to 10 inches. Regardless of which installations you choose, it is very important to check the measurements of the base cabinet and the sink while planning the installation. It is necessary to modify the base cabinet in order to install this sink.

2. Cut the top rail and center support on the base cabinet. Read the sink dimensions carefully before making cuts to the base cabinet. Consult a contractor or installer if necessary.

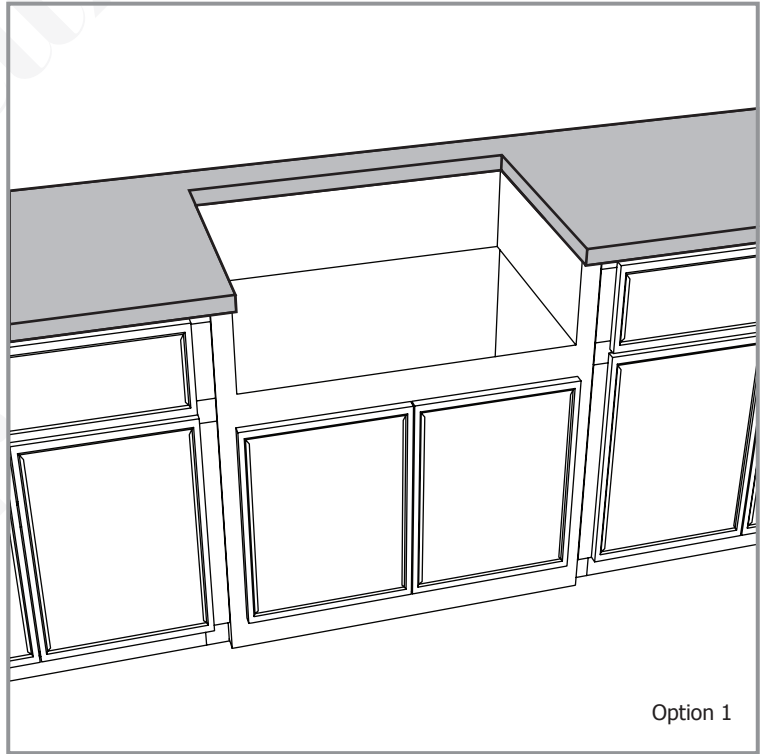


3. Install wood supports. Make sure the supports are level and secured to the base cabinet with screws.



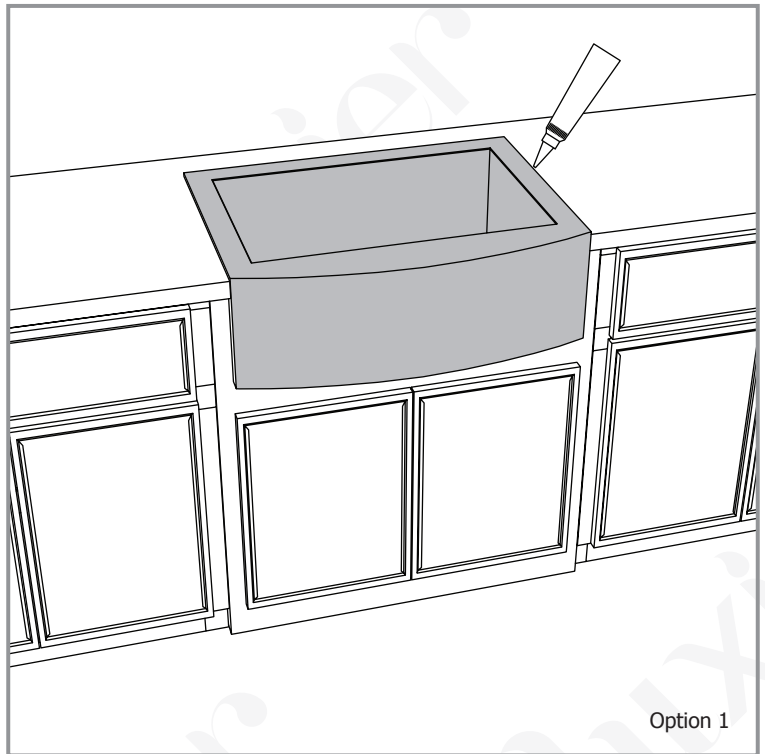
4-1. Option 1

Install the countertop. Make sure the countertop is level and there is enough clearance for the farm sink.



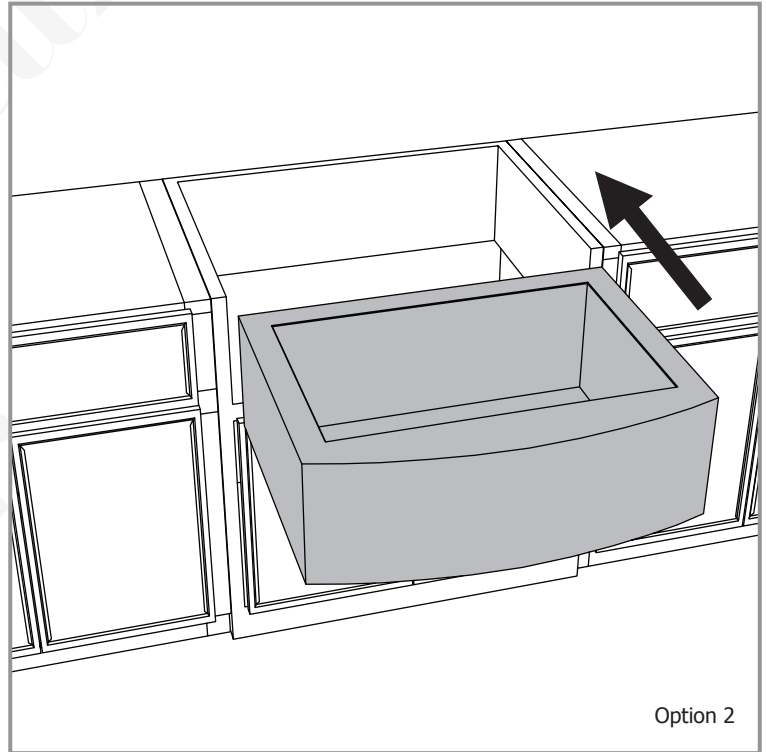
4-1. Option 1

Install the farm sink after the countertop has been installed. Apply a bead of silicon sealant at the edge where the sink meets the countertop and the cabinet. Wipe away any excess sealant.



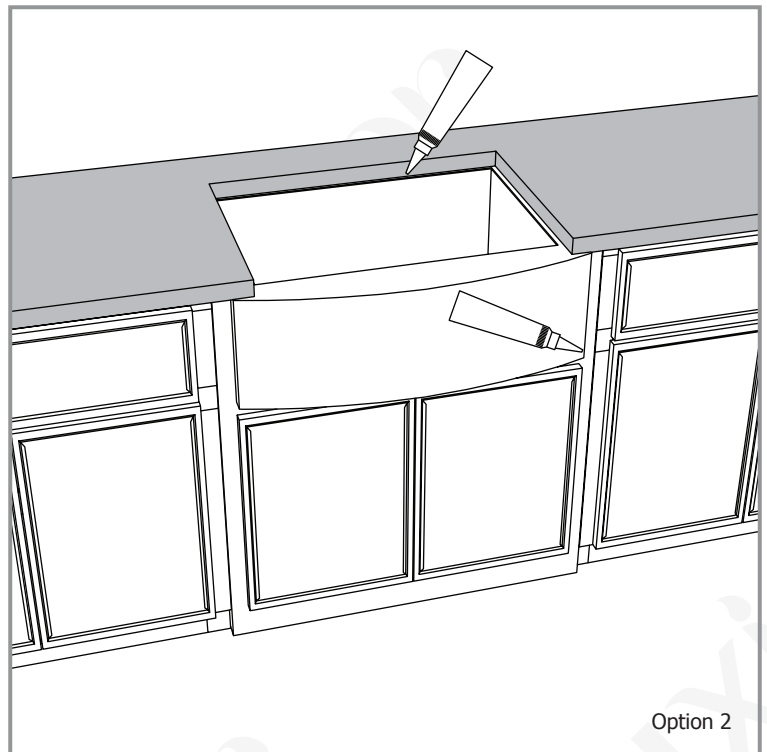
4-2. Option 2

Place the sink on the support and verify it is level. Make adjustment and shim as needed. Secure the sink with adhesive.



4-2. Option 2

Install the countertop. Apply a bead of silicon sealant and fill any gap where the countertop sits on the sink. Wipe away any excess silicon sealant.



Maintenance Guide

1. Regular cleaning can keep the original appearance of the sink. Use a mild detergent such as liquid dishwashing soap and warm water for cleaning. Rinse thoroughly with clean water to remove any cleaner residue and towel dry the sink immediately.
2. Some discoloration spots are caused by hard water or household substances. These spots can be removed with special cleaning / polish products specifically for stainless steel.
3. Carefully read the cleaner product label to ensure the cleaner is safe for use on the material.
4. Do not use abrasive / harsh chemical when cleaning the product as they will damage and dull the finish. Avoid chlorine based solution from coming in contact with the stainless steel.
5. When using spray cleaners, spray first onto a soft cloth or sponge. Never spray directly onto the surface.
6. Never use steel wool or scrubbing powder to clean the surface. The stainless steel surface can get scratched and rust may developed at the damaged area.

Notice

1. Do not use abrasive / harsh chemical when cleaning the product as they will damage and dull the
2. Do not let water or other liquids dry on the stainless steel surface. The liquids will leave a spot on the product surface.
3. Any acidic food residue must be cleaned up immediately. For example, juices, salt, muster, dressing, etc.

Limited Lifetime Warranty (For USA Only)

The manufacturer warrants this product to be free of manufacture defects during daily normal household use for as long as it is owned by the original purchaser of this product. Please keep a copy of the original invoice as proof of purchase. This warranty is non-transferable.

Should a malfunction occur within the warranty period, Luxier USA will, as its option, (1) repair or replace the defective part(s) or product(s) at no charge; (2) issue a refund of the original purchase price of the product(s) (Valid within 30 days from the date of purchase); or (3) issue a credit to be applied toward the purchase of a new Décor Star product. Shipping/delivery charges may apply and are in Luxier USA's sole discretion.

This limited warranty shall not apply to goods which have been subject to accident, negligence, improper installation, product abuse, product misuse, or use of cleaners containing abrasives, alcohol or other organic solvents, whether performed by a contractor, service company, or yourself, are excluded from this warranty.

Our responsibility under this warranty is limited to only to replacement parts and no other costs. Luxier USA will not be responsible for labor charges and/or damage incurred by installation, repair or replacement, nor for any indirect incidental or consequential damages, losses, injury or costs of any nature relating to this faucet. Except as provided by law, this warranty is in lieu of and excludes all other warranties, conditions, and guarantees, whether expressed or implied, statutory or otherwise, including without restriction those merchantability of fitness for use.

This limited warranty is non-transferable. This limited warranty only applies to products purchased and installed in the United States. This limited warranty covers the original consumer purchase only and does not include business, commercial or industrial use of this product. To obtain service under the Limited Warranty, please contact Luxier USA at 1-877-711-8828, Monday - Friday 9AM - 5PM Pacific Time or by email at support@luxierusa.com. The Luxier USA Customer Care Department will determine whether to repair or replace your product, issue a refund, or issue a credit.